

GEA DEMOUNTABLE ROTARY VALVE



- Drop through (DT) or convey through (CV) models
- Food grade, pharmaceutical or designs that meet USDA Dairy Standards
- 304 or 316 stainless steel, cast iron
- 8-vane bevel tip rotor minimizes air leakage and product build-up
- Precise clearances are machined to suit specified applications
- Outboard bearings are lubricated and sealed for life
- Dual shaft air seals prevent product leakage

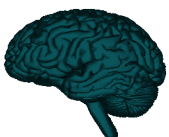
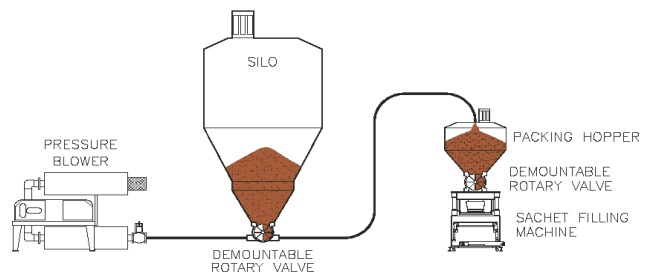
Principle of Operation

PPS supplies rotary valves for use in gravity or pneumatic conveying systems, handling food, dairy, pharmaceutical, nutritional products and other dry ingredients. Each valve is designed, machined, and inspected for the specific application.

Quick disassembly without tools allows for rotor removal and access to all product contact areas for inspection and cleaning.

Options

- Easy slide rotor support slide rails
- Rotor contact detection system
- Shaft seal air service control package
- 6 to 12 vane rotor, reduced capacity, and custom designs
- Round, square, ANSI or custom flange patterns
- Drive—Chain or direct drive, TEFC, explosion proof, or special motors
- Clean in Place (CIP) design
- Body venting for high pressure service
- Custom accessories and fabrication

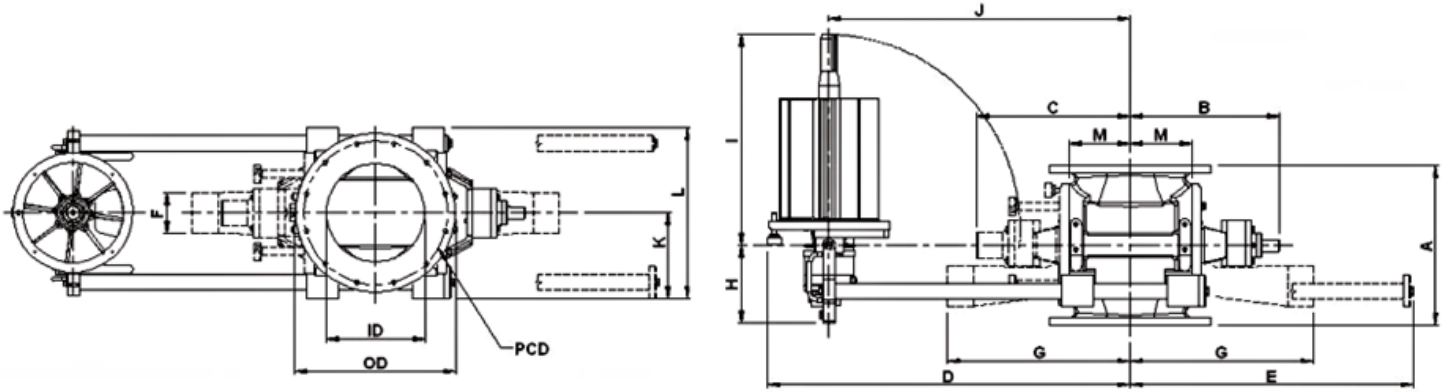


THINK DIFFERENTLY.

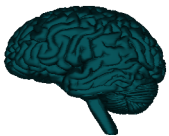
PPS
POWDER PROCESS-SOLUTIONS

www.powder-solutions.com

DEMOUNTABLE ROTARY VALVE



MODEL	375		500		750		1250	
	CV	DT	CV	DT	CV	DT	CV	DT
Swept Vol. (cu ft)	0.18		0.42		0.82		1.24	
Drive	0.37		0.37		0.75		0.75	
Drive HP	0.5		0.5		1.0		1.0	
Shaft Dia. (Key)	Ø1 3/16" (1/4" X 1/4")		Ø1 3/16" (1/4" X 1/4")		Ø1 3/8" (5/16" X 5/16")		Ø1 3/8" (5/16" X 5/16")	
A	11 1/2"	12 5/8"	14 1/16"	15 3/4"	16 1/8"	17 11/16"	18 5/16"	20 1/2"
B	12 9/16"		14 13/16"		17 5/16"		19"	
C	13 1/16"		15 5/16"		17 3/8"		22 1/2"	
D	31 5/16"		38"		40 7/16"		47 1/2"	
E	25"		31 1/16"		32 3/8"		38 1/4"	
F (Max.)	Ø3"	-	Ø4"	-	Ø6"	-	Ø6"	-
G	22 15/16"	-	25 3/16"	-	26 5/8"	-	28 3/16"	-
H	6 1/8"		7 11/16"		9 3/16"		9 3/16"	
I	16 3/4"		20 13/16"		24 3/16"		27 1/2"	
J	26 3/16"		31 13/16"		33 1/4"		39 7/16"	
K	6 9/16"		8 7/16"		9 7/16"		10 1/2"	
L	13 1/8"		16 15/16"		18 7/8"		21"	
M	3 7/8"		6 1/8"		7 9/16"		9 3/16"	
Inlet Size	Small	Large	Small	Large	Small	Large	Small	Large
OD	11"	13 1/2"	13 1/2"	16"	16"	19"	19"	21"
ID	6"	8"	8"	10"	10"	12"	12"	14"



THINK DIFFERENTLY.